



Tablet mount safety device
HT4P



IDEC Safety Commander™

Enable industrial tablets to provide operation safety
Complies with safety requirements as required
by the ISO 10218 series



Mechanical switches

NEW

- Up to 3 IDEC LB series switches can be installed. (*1)
- Reliable operation.
- Ideal for a wide range of applications. Complies with various standards.

*1) The product will be shipped with requested switches. See P7 for custom products. (Available soon)

Standard products

- Without mechanical switch



Custom products (example)

- TS series joystick



Custom products (example)

- Illuminated pushbuttons (red)
- Illuminated pushbuttons (green)
- Key selector switch



Emergency stop switch with LED indicator

Equipped with a safety lock mechanism, safe break action structure, and direct opening action.

NEW



Emergency stop switch guard (accessory)

Retrofittable guards available.

USB/LAN converter with built-in USB power delivery

NEW

- Wired LAN enables stable communication regardless of the environment.
- USB power delivery allows battery charge via USB while communicating. No need to worry about the battery running out.



Three-position enabling switch

Safety during work operations is assured by the ergonomically designed three-position action (OFF→ON→OFF) to avoid danger.

Rotation unlock button

NEW

Allows the grip to rotate only when the button is pressed, preventing unintentional rotation.

Hand strap or shoulder strap (accessories)

- Prevents the product from dropping during hand-held operation.
- Reduces the burden when working long hours.



- The shoulder strap has a safety feature that disengages when a certain load is applied.



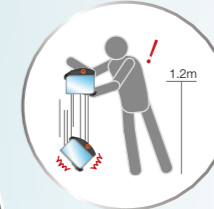
Can be used set down

Enables stable operation while placed on a desk.

Note.) Excludes operation of enable switches.

Rugged construction with drop resistance of 1.2m

Designed for assurance, the product has passed drop tests assuming accidental drop or impact while carrying. (*)



*) Drop resistance has been tested for tablet weights up to 1.1 kilogram.
Note: Drop protection of the product or tablet is not guaranteed.

IP54 protection

Usable even in dusty environments or when exposed to splashing or spraying.



NEW

HT4P

High performance

Wired LAN

Mechanical switch

10 to 13 inches

IDEC Safety Commander™

Patent pending

Vertical and horizontal operation for flexible use

Ergonomic design for improved operability

- Rotating grips allow the tablet to be used in vertical or horizontal orientation. The emergency stop switch, which must be accessed instantly, can also be positioned for ease of use.
- Easy to hold and operate, regardless of handedness. The ergonomic holder design and enabling switch position result in ease of holding and operability.



Horizontal right-hand use



Vertical left-hand use



Horizontal left-hand use

Safety device easily attaches to a

10- to 13-inch tablet

NEW

- The tablet can be readily equipped with a safety device.



Tablet

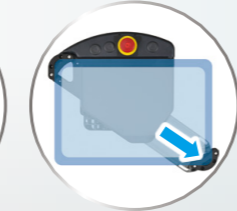


HT4P IDEC Safety Commander™

- Equipped with slide mechanism.
- Fits large and rugged tablets.



10 inches



13 inches

Expansion Lock

Prevents unintentional removal of the tablet.

Expansion lock lever

Locks the extension of the tablet holder.



Movable mounting hooks & spacers

NEW

The power and audio buttons on the tablet can be operated when mounted, as bracket and spacer positions can be changed.

- Mounting bracket position can be changed.



- Mounting spacer position can be changed.



Waterproof connector/

NEW

Wired LAN, switch contact, power supply cable (accessories)

- Connector allows one-touch connection and disconnection of the cable.
- Easy maintenance.



Wall mount

Wall mount bracket (accessory) enables operation while fixed to the wall.

Note: Only for operations that do not require an enabling switch.

Customer benefits

Improved safety of tablets

BEFORE

- Devices can be controlled by only using tablets.
- Safety is not ensured without safety devices.
- Does not satisfy safety standards.
- Wireless features are affected by noise.



AFTER

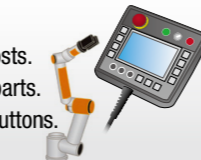
- Improved safety.
- Compliance with safety standards.
- Wired LAN enables safe communication.



Eliminates the need to develop a dedicated device

BEFORE

- Large development and production costs.
- Difficult to handle discontinuation of parts.
- Complex operation due to too many buttons.



AFTER

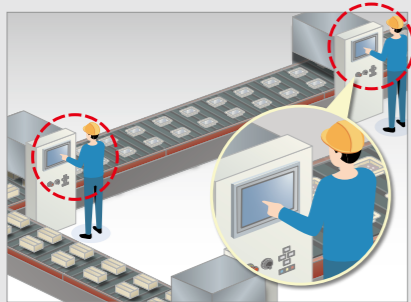
- No hardware development required. Software only.
- Low cost.
- Easy to operate.



Replacement for a touch panel on a control panel

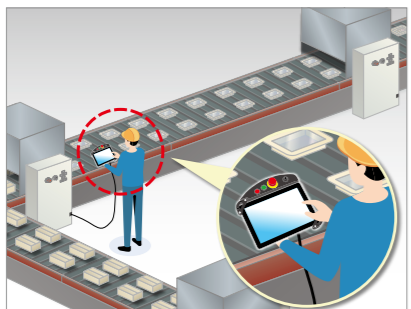
BEFORE

- Individual touch panels are installed on multiple panel boards.
- Inefficient as the panels are used infrequently.



AFTER

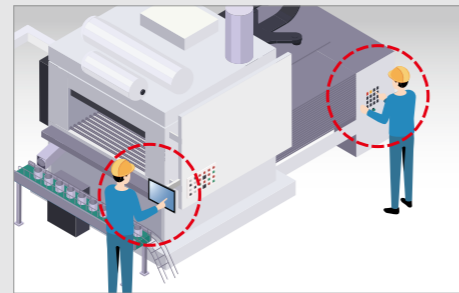
- One IDEC Safety Commander™ can be used in multiple locations.
- Cost reduction and space saving of control panel.
- Reduced number of touch panels.



Enables operation close to the machine

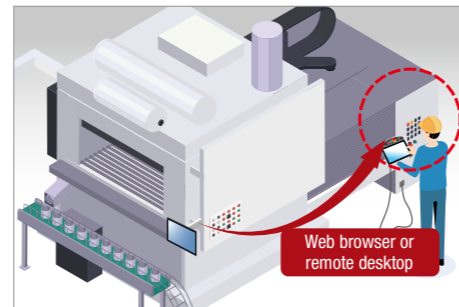
BEFORE

- Fixed touch panels are used to control large machines.
- Multiple workers call out to each other during maintenance.



AFTER

- By using the product together with a fixed touch panel, machines can be operated using the web browser and remote desktop functions.
- Workers can operate close to the machine and the number of workers can be reduced.



Applications

Robot teaching



Large equipment and machinery



Automotive production lines and conveyor lines



Semiconductor manufacturing equipment, chip moulder, food & packaging equipment



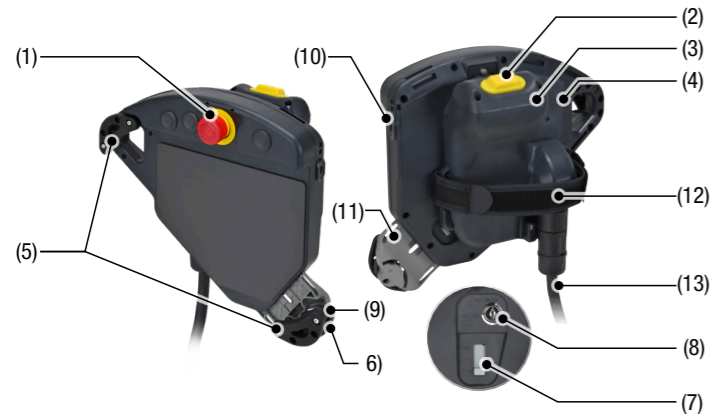
AGV and AMR



HT4P IDEC Safety Commander™



• See website for details on approvals and standards.



No.	Name	Description
(1)	Emergency stop switch	XA1E-LV302Q4R (IDEC)
(2)	Enabling switch	HE6B-M200Y (IDEC)
(3)	Grip unit	Grip of the product
(4)	Tablet holder unit	Secures the tablet
(5)	Hook top	-
(6)	Hook base	-
(7)	Expansion lock lever	Extendable lever for tablet holder
(8)	Expansion lock	Key lock for extendable lever
(9)	Spacer	-
(10)	USB port	Type-C
(11)	Slide arm	-
(12)	Hand strap	Accessory
(13)	Cable	Accessory

HT4P IDEC Safety Commander™

Package Quantity: 1

Name	Tablet compatible size	Part No.	Remarks
HT4P IDEC Safety Commander™	10 to 13inches	HT4P-SLNP	Switches used: Emergency stop switch XA1E-LV302Q4R (IDEC) Enabling switch HE6B-M200Y (IDEC) See P7 for part no. of custom products installed with mechanical switches (available soon).

Maintenance parts

Name	Shape	Specification	Part No.	Package quantity	Remarks
Hand strap		PP, others	HT9Z-4PS1	1	Back hand hold type
Extendable lock release key		Metal (brass)	HT9Z-4PK01	1	2 pieces
Hook		Hook: rubber Hook base: plastic Spacer: aluminum Rubber tube: rubber	HT9Z-4PHZ	1	Hook to secure the tablet (Hook, hook base, 2 spacers (14mm), 2 rubber tubes (8mm), rivet)

Accessories

Name	Shape	Specification	Part No.	Package quantity	Remarks
Tablet thickness adjustment kit A		Spacer: aluminum Rubber tube: rubber	HT9Z-3PHB08	4 spacers 4 rubber tubes	Use with standard parts for tablet with thickness of 9 to 17 mm
Tablet thickness adjustment kit B		Spacer: aluminum Rubber tube: rubber	HT9Z-3PHB14	4 spacers 4 rubber tubes	Use with standard parts for tablet with thickness of 17 to 23 mm
Rubber tube		Rubber	HT9Z-3PHC10	1	For tablet thickness adjustment (approx. 100 mm) • Cut to length when aluminum spacers are provided by customer.
Shoulder strap		PP, others	HT9Z-4PS2	1	Shoulder strap For safety reasons, if the strap holds more than a certain amount of load, the strap will fall off.
5m cable supplied D-sub37p		Double-shielded cable 25 cores.	HT9Z-4PC15MC	1	D-Sub type
Cable stranded wire		Power supply: AWG20 Others: AWG24	HT9Z-4PC1*M	1	Stranded wire type - Length (m): 5, 10, 15, 20
Emergency stop switch		Plastic	HT9Z-4PG1	1	Screws for mounting emergency stop switch guards: Two M3 x 8 mm countersunk tapping screws
Wall mount bracket		Aluminum	HT9Z-4PF1	1	The main unit can be fixed to a wall. The mounting centers of the screws complies with VESA standard.

Mechanical switch mount model (custom order)

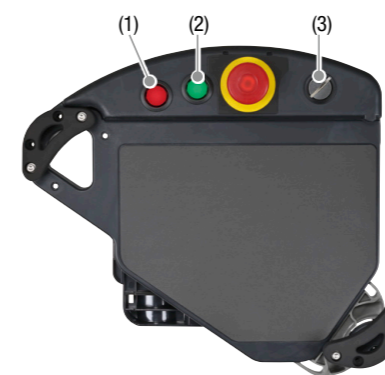
The following IDEC LB series mechanical switches can be installed on the HT4P as custom products.

Package Quantity: 1

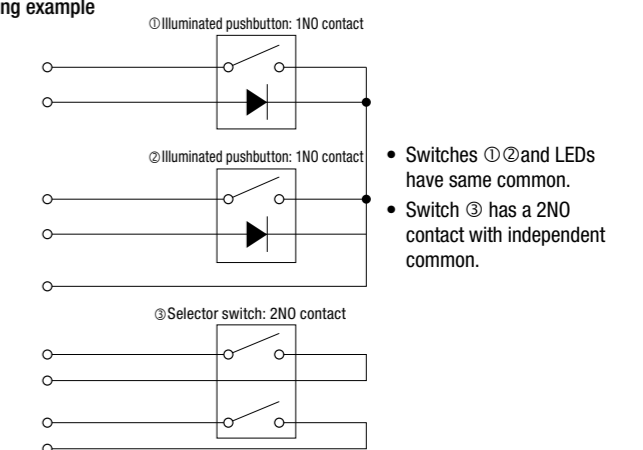
Part No.	Mounting position			Mounting image
	(1)	(2)	(3)	
HT4P-SLSPL-R0001:	-	-	Selector switch 2-position / 2NO contact / maintained / knob operator LB6S-2T2	
HT4P-SLSPL-R0002:	-	-	Selector switch 3-position / 2NO contact / maintained / knob operator LB6S-3T2	
HT4P-SLSPL-R0003:	-	-	Key selector switch 2-position / 2NO contact / maintained / disk tumbler key LB6K-2T2A	
HT4P-SLSPL-R0004:	-	-	Key selector switch 3-position / 2NO contact / maintained / disk tumbler key LB6K-3T2A	
HT4P-SLSPL-R0005:	Illuminated pushbuttons Red / 1NO contact / momentary LB6L-M1T14R	Illuminated pushbuttons Green/1NO contact/ momentary LB6L-M1T14G	Key selector switch 3-position / 2NO contact / maintained / disk tumbler key LB6K-3T2A	
HT4P-SLSPL-R0006:	Illuminated pushbuttons Red / 1NO contact / momentary LB6L-M1T14R	Illuminated pushbuttons Green/1NO contact/ momentary LB6L-M1T14G	Selector switch 2-position / 2NO contact / maintained / knob operator LB6S-2T2	
HT4P-SLSPL-R0007:	Illuminated pushbuttons Green/1NO contact / momentary LB6L-M1T14G	-	Key selector switch 3-position / 2NO contact / maintained / disk tumbler key LB6K-3T2A	
HT4P-SLSPL-R0008:	Illuminated pushbuttons Green / 1NO contact / momentary LB6L-M1T14G	-	Selector switch 2-position / 2NO contact / maintained / knob operator LB6S-2T2	
HT4P-SLSPL-R0009:	Pushbuttons White / 1NO contact / momentary LB6B-M1T1W	Pushbuttons White / 1NO contact / momentary LB6B-M1T1W	Selector switch 2-position / 2NO contact / maintained / knob operator LB6S-2T2	
HT4P-SLSPL-R0010:	Pushbuttons Black / 1NO contact / momentary LB6B-M1T1B	Illuminated pushbuttons Green / 1NO contact / momentary LB6L-M1T14G	Selector switch 2-position / 2NO contact / maintained / knob operator LB6S-2T2	

• Contact IDEC for combinations other than those listed above.

Mechanical switch



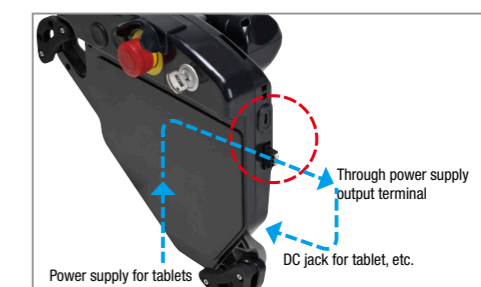
Wiring example



Through power output function (custom product)

Available soon

- Suitable for tablets that are powered with DC power jacks.
- Available with a through power output terminal that can directly supply power from the cable to the tablet.



General specifications

Environmental Specifications	Operating temperature	-10 to +55°C (when USB is not connected / product is not held) -10 to +40°C (when connected to USB / product is not held) -10 to +35°C (*2) (when product is held) (no freezing)	
	Storage temperature	-20 to +55°C (no freezing)	
	Storage humidity	45 to 85%RH (no condensation)	
	Operating humidity	45 to 85%RH (no condensation)	
	Degree of pollution	3	
Electrical Specifications	Rated insulation voltage	50V	
	Overvoltage category	II	
	Rated input voltage	Main power supply: 24V DC -15%/+20% Emergency stop switch with LED unit: 24V DC±10%	
	Current draw	Main power supply: 2.0A max. Emergency stop switch with LED unit: 11mA	
	Allowable momentary power interruption	1ms	
	Dielectric strength	Main power supply 24V DC between +/- terminals and FE terminal: 500V AC for 1 min.	
	Insulation resistance	Main power supply 24VDC between +/- terminals and FE terminals: 100MΩ min. (500V DC megger)	
	Contact ratings	XA1E-LV302Q4R (Illuminated) (*4)	2A / 30V DC (resistive load) 1A / 30V DC(inductive load)
		HE6B-M200Y (*4)	1A / 30V DC (resistive load) 0.7A / 30V DC(inductive load)
	EMC Specifications	Immunity zone	Zone A (IEC/EN61131-2)
Mechanical specification	Vibration resistance	5 to 8.4Hz: amplitude 3.5mm 8.4 to 150Hz : acceleration 9.8m/s ² (3 directions, 2 hours each)	
	Shock resistance	147m/s ² 11 ms (5 times each in 6 directions)	

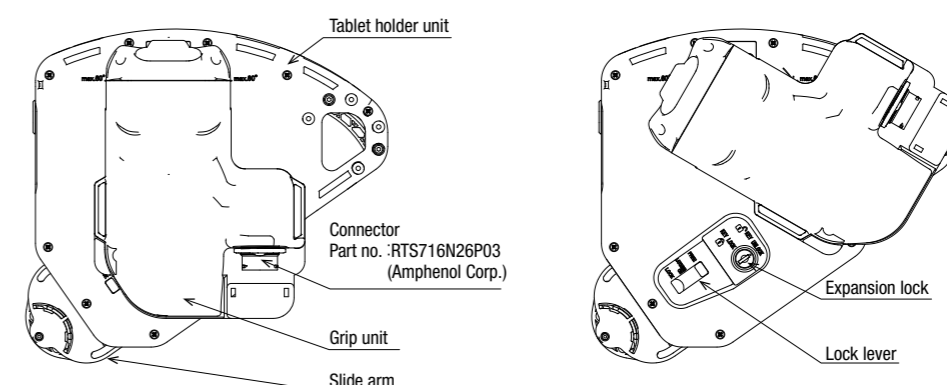
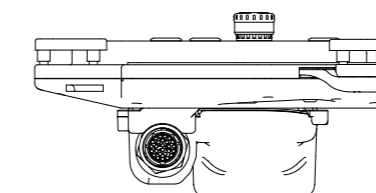
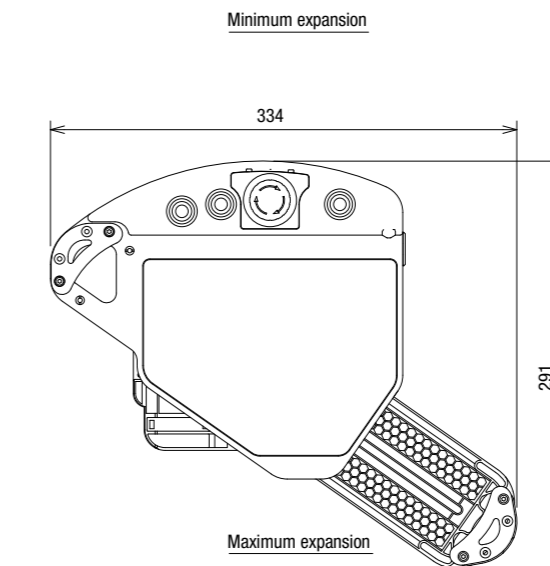
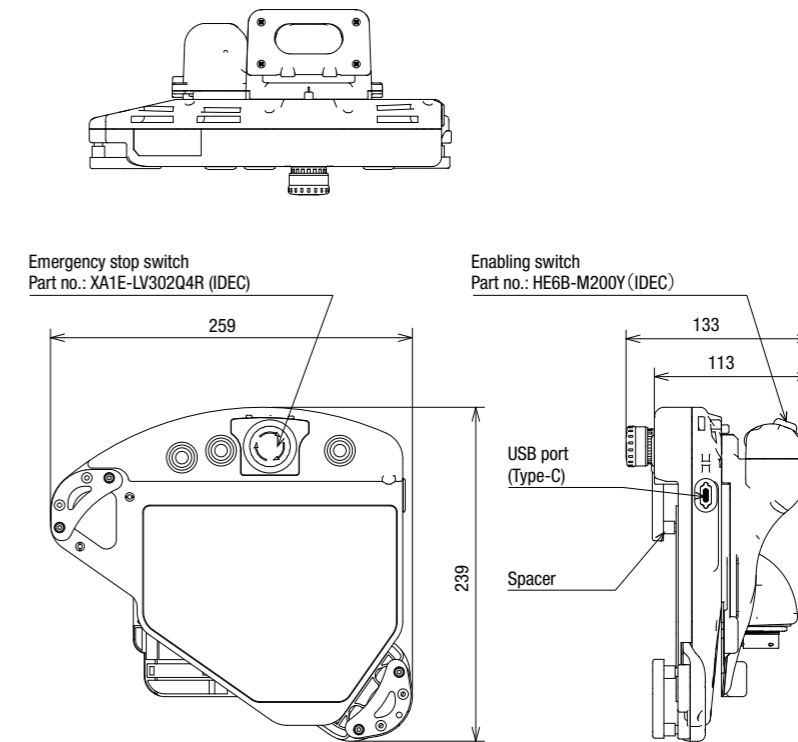
Structure Specification	Degree of protection	IP54 (*5)	
	Compatible tablet (*6)	Compatible tablet size	Tablet diagonal length : 290 to 380mm (270mm~ at reduced size) Screen size: 10 to 13 inches
		Compatible tablet thickness	Standard : up to 9mm (*7)
		Compatible OS	(*9)
		Compatible tablet weight	Max. 1.1kg (reference value)
Weight (approx.) (*8)	Approx. 880g Approx. 2210g (Cable, including accessory / D-Sub type)		
Grip unit rotation angle	Approx. 120° (approx.)		
Housing color	Black		
USB	Communication Method	USB 2.0 device High speed (480Mbps)	
	Power supply	USB PD Source Output: 30W 5V-3A, 9V-3A, 15V-2A, 20V-1.5A	
	Cable	USB Type C connector Cable length: 0.5m max.	
Ethernet (*10)	Communication method	IEEE802.3i: 10BASE-T, 100BASE-TX	
	Internal circuits and insulation	Pulse transformer	
Applicable standards		EN/IEC 60947-5: 1 IEC/EN 60947-5-5 (XA1E-LV302Q4R) IEC/EN 60947-5-8 (HE6B-M200Y) UL 508 UL 1 UL 60947-5-1 UL 60947-5-5 CSA C22.2 No.14	
		Safety standards	IEC/EN 61010-1 EN/IEC 61010-2: 201
		Applicable standards for use	ISO 12100 IEC 60204-2: 1 ISO 10218-1 ISO 10218-2
	EMC standards	EN/IEC 61131-1: 2	
	UL certification	UL508: UL60947-5-5: CSA C22.2 No.14	

- *1) If there is a risk of malfunction or destruction to the USB power supply or tablet due to noise from the connected power supply, use a dedicated USB power supply that is independent of other power supplies. Use Class2 or SELV power supply. This product does not support hot swap, so wiring should be done while the power supply to be connected is OFF.
- *2) The tablet holder unit generates heat when power is supplied for a long period of time. Do not supply power while holding the tablet holder unit for a long period of time as it may cause low-temperature burns.
- *3) Specifications for components.
- *4) UL certified rating 30VDC/1A max.
30VDC/0.7A max. (Pilot Duty)
- *5) Not when USB cable is connected.
- *6) May not be applicable depending on the shape. Weight is not guaranteed.
- *7) Tablet thickness can be adjusted up to 23mm with the accessory tablet thickness adjustment kit. Use HT9Z-3PHB08 for tablet thickness of 9mm to 17mm and HT9Z-3PHB14 for tablet thickness of 17mm to 23mm by adding them to the standard parts.
- *8) Except hand straps and other accessories.
- *9) See "USB to Ethernet Conversion Function" below for details.
- *10) USB to Ethernet Conversion Function
USB-Ethernet conversion function can be used by installing a dedicated software driver on a Windows tablet. This function is available using MAXLINEAR's dedicated IC (model number: XR22801). The dedicated software driver can be downloaded from the MAXLINEAR website below and should be used in accordance with the conditions of use described on the website. Check the following website for supported OS and versions.
<https://www.maxlinear.com/support/design-tools/software-drivers>
Before using the software, check the Errata information from the following website and handle the software according to the information.
<https://www.maxlinear.com/product/interface/bridges/usb-ethernet-bridges/xr22801#documentation>

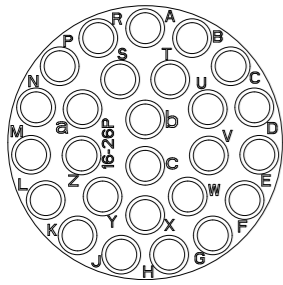
Dimensions

Main parts

All dimensions in mm.



External interface



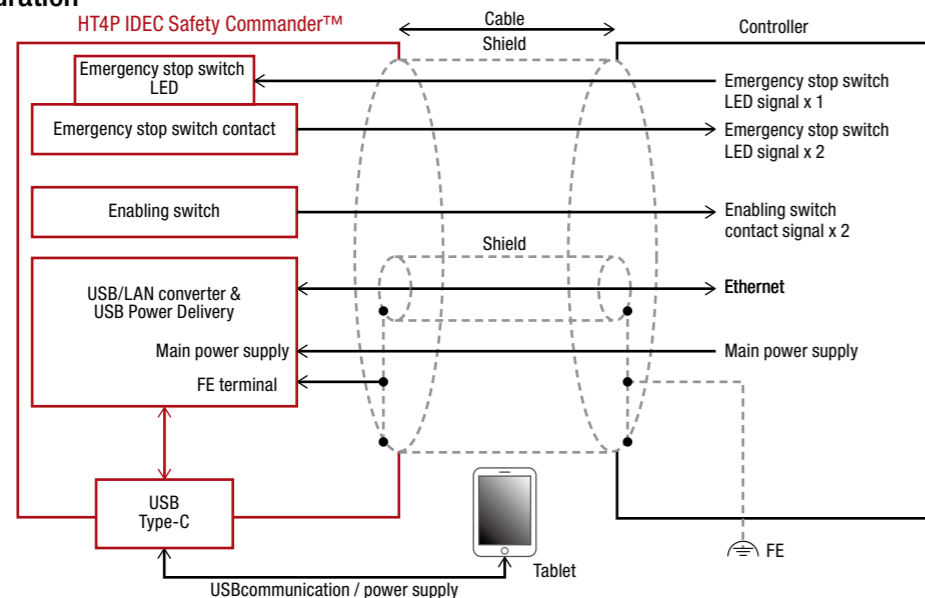
Manufacturer : Amphenol Corp.
Type No.: RTS716N26P03

When preparing cables by the customer

- 1) Cables smaller than AWG20 cannot be connected to the main power supply. Use cables larger than AWG20.
- 2) Use cables with transmission characteristics equivalent to LAN cables of Category 5e or higher for Ethernet wiring, and shield the entire Ethernet cable with a shield.
- 3) In addition to the cables for the main power supply, the emergency stop switch and enabling switch, and the entire shielded Ethernet cable should be further shielded.

Waterproof connector	Function name	HT4P-SLNPL: (Standard stock)	HT4P-SLSPL-R* (Mechanical switch installed)
A	Main power supply	24V DC+	24V DC
B		24V DC-	24V DC
C		FE terminal	FE terminal
D	Ethernet	TPO + (sent data +)	TPO + (sent data +)
E		TPO- (sent data -)	TPO- (sent data -)
F		TPI + (received data +)	TPI + (received data +)
G		TPI- (received data -)	TPI- (received data -)
H	Mechanical switch	-	Switch ③ (NO1)
J		-	Switch ③ (COM1)
K		-	Switch ③ (NO2)
L		-	Switch ③ (COM2)
M		-	Switch ② (NO1)
N		-	Switch ① (NO1)
P		-	For switch LED ② (24V DC)
R		-	For switch LED ① (24V DC)
S	-	Switch common ① @COM	
T	Emergency stop switch	LED (24VDC+)	LED (24VDC+)
U		LED (24VDC-)	LED (24VDC-)
V		Contact 1 (NC)	Contact 1 (NC)
W		Contact 1 (NC)	Contact 1 (NC)
X		Contact 2 (NC)	Contact 2 (NC)
Y	Enabling switch	Contact 2 (NC)	Contact 2 (NC)
Z		Contact 1 (COM)	Contact 1 (COM)
a		Contact 1 (NO)	Contact 1 (NO)
b	Enabling switch	Contact 2 (COM)	Contact 2 (COM)
c		Contact 2 (NO)	Contact 2 (NO)

System configuration



Safety Precautions ⚠

- Turn off the power to the product before starting installation, removal, wiring, maintenance, or inspection. Failure to turn power off may cause electrical shock or fire.

Instructions

Be sure to read instruction manual carefully before performing installation, wiring, or maintenance work.

For details on mounting, wiring, and maintenance, see the instruction manual from the below URL.
URL: <https://product.idec.com/?product=HT4P>



HT3P

Lightweight, basic type

8 to 11 inches

(Patent pending)



Fits 8- to 11-inch tablets

The adjustable docking structure fits screen sizes of 8 to 11 inches. IDEC Safety Commander™ can also be attached to rugged tablets with thicknesses of up to 24mm (*1) by using a spacer accessory. Thick and robust tablets can also be mounted.

*1) Standard thickness: up to 10mm. When accessory "tablet thickness adjustment kit A" is used: up to 18mm. When accessory "tablet thickness adjustment kit B" is used: up to 24mm



Screen size: 8 to 11 inches Thickness: up to 24mm

Emergency stop pushbutton switch with LED indicator

Equipped with a safety lock mechanism, safe break action structure, and direct opening action.

Rotating holder

Ease of holding and operability. Adapts to both vertical and horizontal use.



Horizontal right-hand use Vertical left-hand use Horizontal left-hand use

Three-position enabling switch

Safety during work operations is assured by the ergonomically designed three-position action (OFF→ON→OFF) for avoiding danger.

USB charging port

For charging the tablet, with no worries about losing battery power during use.
Note: 5V DC-1.5A output

Wall mount

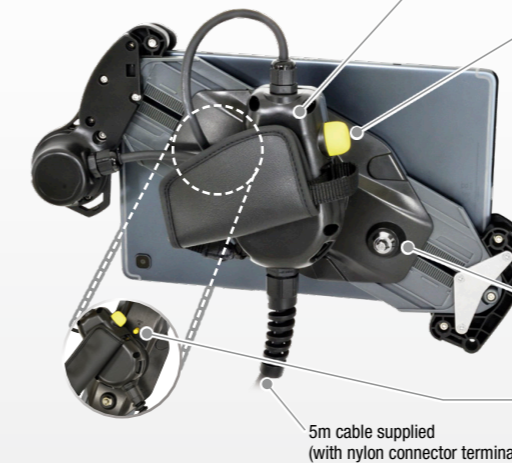
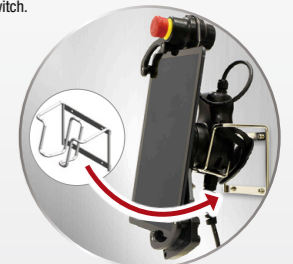
Wall mount bracket (accessory) enables operation while fixed to the wall.
Note: Only for operations that do not require an enabling switch.

Expansion Lock

Prevents unintentional removal of the tablet

Expansion lock lever

Locks the tablet holder from extending

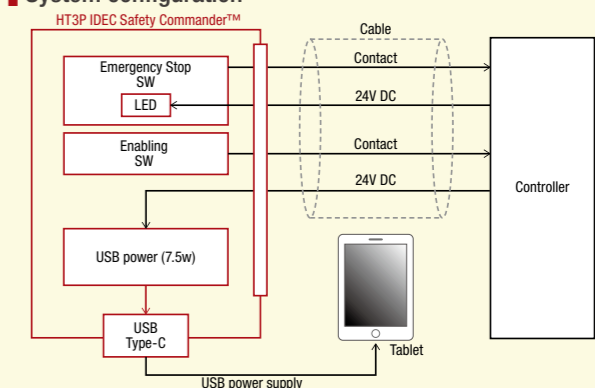


5m cable supplied (with nylon connector terminal)

Specification

Item	Specification	
Structure	Degree of Protection	IP54:
	Compatible tablet size	8 to 11inch
Switch	Emergency stop switch	XA1E-LV302Q4R (IDEC)
	Enabling switch	HE5B-M2PY (IDEC)
Power	USB power supply	USB port: Type-C 7.5w:
	External cable connection method	5m cable supplied

System configuration



Ordering Terms and Conditions

Thank you for using IDEC Products.

By purchasing products listed in our catalogs, datasheets, and the like (hereinafter referred to as "Catalogs") you agree to be bound by these terms and conditions. Please read and agree to the terms and conditions before placing your order.

1. Notes on contents of Catalogs

- (1) Rated values, performance values, and specification values of IDEC products listed in this Catalog are values acquired under respective conditions in independent testing, and do not guarantee values gained in combined conditions. Also, durability varies depending on the usage environment and usage conditions.
- (2) Reference data and reference values listed in Catalogs are for reference purposes only, and do not guarantee that the product will always operate appropriately in that range.
- (3) The specifications / appearance and accessories of IDEC products listed in Catalogs are subject to change or termination of sales without notice, for improvement or other reasons.
- (4) The content of Catalogs is subject to change without notice.

2. Note on applications

- (1) If using IDEC products in combination with other products, confirm the applicable laws / regulations and standards. Also, confirm that IDEC products are compatible with your systems, machines, devices, and the like by using under the actual conditions. IDEC shall bear no liability whatsoever regarding the compatibility with IDEC products.
- (2) The usage examples and application examples listed in Catalogs are for reference purposes only. Therefore, when introducing a product, confirm the performance and safety of the instruments, devices, and the like before use. Furthermore, regarding these examples, IDEC does not grant license to use IDEC products to you, and IDEC offers no warranties regarding the ownership of intellectual property rights or non-infringement upon the intellectual property rights of third parties.
- (3) When using IDEC products, be cautious when implementing the following.
 - i. Use of IDEC products with sufficient allowance for rating and performance
 - ii. Safety design, including redundant design and malfunction prevention design that prevents other danger and damage even in the event that an IDEC product fails
 - iii. Wiring and installation that ensures the IDEC product used in your system, machine, device, or the like can perform and function according to its specifications
- (4) Continuing to use an IDEC product even after the performance has deteriorated can result in abnormal heat, smoke, fires, and the like due to insulation deterioration or the like. Perform periodic maintenance for IDEC products and the systems, machines, devices, and the like in which they are used.
- (5) IDEC products are developed and manufactured as general-purpose products for general industrial products. They are not intended for use in the following applications, and in the event that you use an IDEC product for these applications, unless otherwise agreed upon between you and IDEC, IDEC shall provide no guarantees whatsoever regarding IDEC products.
 - i. Use in applications that require a high degree of safety, including nuclear power control equipment, transportation equipment (railroads / airplanes / ships / vehicles / vehicle instruments, etc.), equipment for use in outer space, elevating equipment, medical instruments, safety devices, or any other equipment, instruments, or the like that could endanger life or human health
 - ii. Use in applications that require a high degree of reliability, such as provision systems for gas / waterworks / electricity, etc., systems that operate continuously for 24 hours, and settlement systems
 - iii. Use in applications where the product may be handled or used deviating from the specifications or conditions / environment listed in the Catalogs, such as equipment used outdoors or applications in environments subject to chemical pollution or electromagnetic interferenceIf you would like to use IDEC products in the above applications, be sure to consult with an IDEC sales representative.

3. Inspections

We ask that you implement inspections for IDEC products you purchase without delay, as well as thoroughly keep in mind management/maintenance regarding handling of the product before and during the inspection.

4. Warranty

- (1) Warranty period
The warranty period for IDEC products shall be one (1) year after purchase or delivery to the specified location. However, this shall not apply in cases where there is a different specification in the Catalogs / there is another agreement in place between you and IDEC.
- (2) Warranty scope
Should a failure occur in an IDEC product during the above warranty period for reasons attributable to IDEC, then IDEC shall replace or repair that product, free of charge, at the purchase location / delivery location of the product, or an IDEC service base. However, failures caused by the following reasons shall be deemed outside the scope of this warranty.
 - i. The product was handled or used deviating from the conditions / environment listed in the Catalogs
 - ii. The failure was caused by reasons other than an IDEC product
 - iii. Modification or repair was performed by a party other than IDEC
 - iv. The failure was caused by a software program of a party other than IDEC
 - v. The product was used outside of its original purpose
 - vi. Replacement of maintenance parts, installation of accessories, or the like was not performed properly in accordance with the user's manual and Catalogs
 - vii. The failure could not have been predicted with the scientific and technical standards at the time when the product was shipped from IDEC
 - viii. The failure was due to other causes not attributable to IDEC (including cases of force majeure such as natural disasters and other disasters)Furthermore, the warranty described here refers to a warranty on the IDEC product as a unit, and damages induced by the failure of an IDEC product are excluded from this warranty.

5. Limitation of liability

The warranty listed in this Agreement is the full and complete warranty for IDEC products, and IDEC shall bear no liability whatsoever regarding special damages, indirect damages, incidental damages, or passive damages that occurred due to an IDEC product.

6. Service scope

The prices of IDEC products do not include the cost of services, such as dispatching technicians. Therefore, separate fees are required in the following cases.

- (1) Instructions for installation / adjustment and accompaniment at test operation (including creating application software and testing operation, etc.)
- (2) Maintenance inspections, adjustments, and repairs
- (3) Technical instructions and technical training
- (4) Product tests or inspections specified by you

The above content assumes transactions and usage within your region. Please consult with an IDEC sales representative regarding transactions and usage outside of your region. Also, IDEC provides no guarantees whatsoever regarding IDEC products sold outside your region.

IDEC



22 FACTORIES



75 YEARS OF EXPERIENCE



3,900 EMPLOYEES WORLDWIDE



100 000+ REFERENCES

EMEA SALES & CUSTOMER SUPPORT

Contact our safety specialists at eu.support@idec.com

BENELUX

Belgicastraat 7/1
1930 ZAVENTEM
Belgium
BEL: (+32) 27 25 05 00
NL: (+31) (70) 799 91 51
be.sales@apem.com

FRANCE

55, avenue Edouard Herriot
BP1
82303 CAUSSADE Cedex
(+33) 5 63 93 14 98
fr.commercial@apem.com

GERMANY

Gewerbehof Giesing
Paulsdorferstr. 34, 2. OG
D-81549 MUNICH
MUNICH: (+49) 89 45 99 11 0
HAMBURG: (+49) 40 253054 0
de.info@apem.com

ITALY

Via Marconi 147G
12030 MARENE (CN)
(+39) 0172 74 3170
apem.italia@apem.com

SWEDEN

Torshamnsgatan 39
S-16440 KISTA
(+46) 8 626 38 00
se.info@apem.com

UNITED KINGDOM

Drakes Drive
LONG CRENDON,
Bucks HP18 9BA
England
(+44) 1 844 202400
uk.sales@apem.com

eu.idec.com

Follow us on LinkedIn

Follow us on Youtube

APEM
an IDEC company