



INSTRUCTION SHEET

Original Instructions Safety Switch
HS1E-K Series
(Actuator Tensile Strength
when Locked 3,000N / Spring Lock)



Thank you for purchasing this IDEC product. Confirm that the delivered product is what you have ordered. Read this instruction sheet to make sure of correct operation.

SAFETY PRECAUTIONS

In this operation instruction sheet, safety precautions are categorized in order of importance to Warning and Caution :

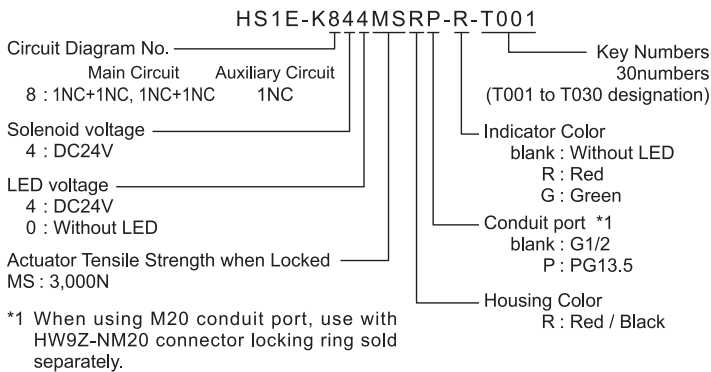
WARNING

Warning notices are used to emphasize that improper operation may cause severe personal injury or death.

CAUTION

Caution notices are used where inattention might cause personal injury or damage to equipment.

1 Type



2 Specifications and Ratings

Applicable Standards	EN ISO / ISO14119, IEC60947-5-1, EN60947-5-1, GS-ET-19, UL508, CSA C22.2 No.14, GB/T 14048. 5				
Standards for Use	IEC60204-1 / EN60204-1				
Interlocking device Type / the level of coded	Type 2 Interlocking device / low level coded actuator (EN ISO / ISO14119)				
Applicable Directives	Machinery Directive, Low Voltage Directive, RoHS Directive				
Operating Condition	Operating Temperature	-25 to +40°C (no freezing)			
	Operating Humidity	45 to 85% (no condensation)			
	Storage Temperature	-40 to +80°C (no freezing)			
	Pollution Degree	3			
	Altitude	2,000m maximum			
Impulse withstand voltage (U _{imp})	4kV (Between ground and LED, solenoid circuit : 2.5kV)				
Rated insulation voltage (U _i)	300V (Between ground and LED, solenoid circuit : 60V)				
Thermal Current (I _{th})	2.5A				
Contact Ratings (Reference Values) (U _e , I _e)	AC	Resistive load (AC-12)	30V	125V	250V
		Inductive load (AC-15)	-	1.5A	0.75A
	DC	Resistive load (DC-12)	2.5A	1.1A	0.55A
		Inductive load (DC-13)	2.3A	0.55A	0.27A
Class of Protection	Class II *2				
Operating Frequency	900 operations / hour				
Operating Speed	0.05 to 1.0 m/s				
B10d	2,000,000 (EN ISO 13849-1 Annex C Table C.1)				
Mechanical Durability	1,000,000 operations min. (GS-ET-19)				
Electrical Durability	100,000 operations min. (Rated operating load) 1,000,000 operations min. (AC/DC 24V 100mA) (900 operations / hour)				
Shock Resistance	Damage Limits : 1,000m/s ²				
Vibration Resistance	Operating Extremes : 10 to 55 Hz, half amplitude 0.35mm Damage Limits : 30 Hz, half amplitude 1.5mm				

Actuator Tensile Strength when Locked	Fzh=3,000N minimum (Front slot : 2,800N min.) F1max.=3,900N minimum (Front slot : 3,640N min.) (GS-ET-19) *3, *4, *5, *6	
Key Turning Strength	1.8 N·m minimum	
Direct Opening Travel	11mm min.	
Direct Opening Force	20N min.	
Contact Resistance	100mΩ max. (Initial value)	
Degree of Protection	IP67 (IEC60529)	
Conditional short circuit current	50A (250V)	
Short-circuit protective device	250V, 10A fast acting type fuse *7	
Solenoid	Rated Operating Voltage	24V DC 100%ED
	Rated Current	206mA
	Turn ON Voltage	Rated Voltage × 85% max. (at 20°C)
	Turn OFF Voltage	Rated Voltage × 10% min. (at 20°C)
Indicator	Rated Power Consumption	Approx. 5W
	Rated Operating Voltage	24V DC
	Rated Current	10mA
	Light Source	LED lamp
	Lens Color	R (Red), G (Green) (Φ12 Lens)
Weight	Approx. 500g	

*2 Basic insulation of 4kV impulse withstand voltage is ensured between different contact circuits and between contact circuits and LED or solenoid in the enclosure. When both SELV (safety extra low voltage) or PELV (protective extra low voltage) circuits and other circuits (such as 230V AC circuits) are used for the solenoid power and contact circuits at the same time, the SELV or PELV requirements are not met any more.

*3 See Section 8 (Dimensions) and make sure the actuator entry slot.

*4 See Section 8 (Dimensions) (mounting hole layout).

*5 The actuator locking strength is rated at 3,000N of static load. Do not apply a load higher than the rated value. When a higher load is expected to work on the actuator, provide an additional system consisting of another safety switch without lock (such as the HS5D safety switch) or a sensor to detect door opening and stop the machine.

*6 F1max. is maximum force. The actuator's guard-locking force Fzh is calculated in accordance with GS-ET-19:

$$F_{zh} = \frac{\text{maximum force (F1max.)}}{\text{Safety coefficient (=1.3)}}$$

*7 Make sure that a fast acting fuse for short-circuit protection trips before overheating of the wires.

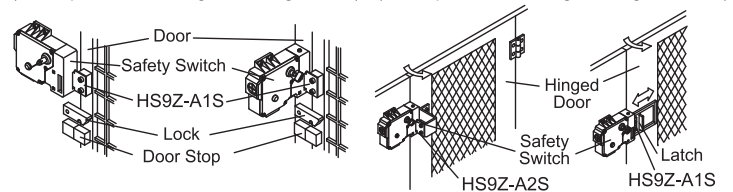
Ratings approved by safety agencies

(1) TÜV rating	(2) UL, c-UL rating	(3) CCC rating
AC-15 250V, 0.5A	0.5A, 250V ac, Pilot Duty	AC-15 240V, 0.75A
AC-15 240V, 0.75A	C300	DC-13 30V, 2.3A
DC-13 125V, 0.22A	0.75A, 240V ac, Pilot Duty	
DC-13 30V, 2.3A	1A, 30V dc, Pilot Duty	
	Q300	

3 Mounting Examples

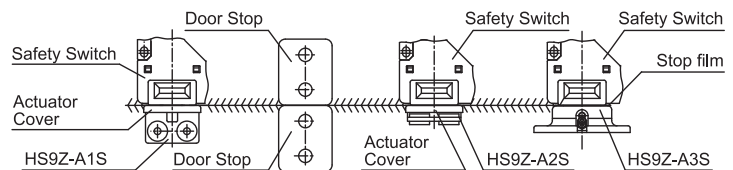
• Install the interlock switch on the immovable machine or guard, and install the actuator on the movable door. Do not install both interlock switch and actuator on the movable door, otherwise the angle of insertion of the actuator to the safety switch may become inappropriate, and failure will occur.

(Examples of Mounting on Sliding Doors) (Examples of Mounting on Hinged Doors)



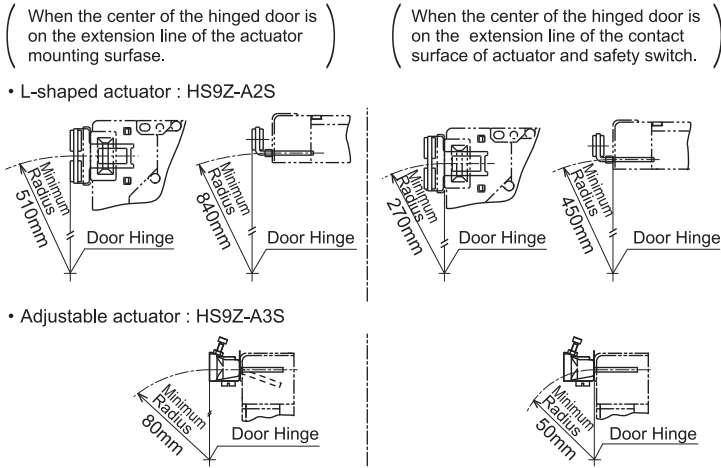
Actuator Mounting Reference Position

• As shown below, the mounting reference position of the actuator inserted into the safety switch is the actuator cover or stop film touches the safety switch lightly. (After mounting the actuator, remove the actuator cover or stop film from the actuator.)



Minimum Radius of Hinged Door

When using the safety switch for a hinged door, the minimum radius of the applicable door is shown in the following figures.

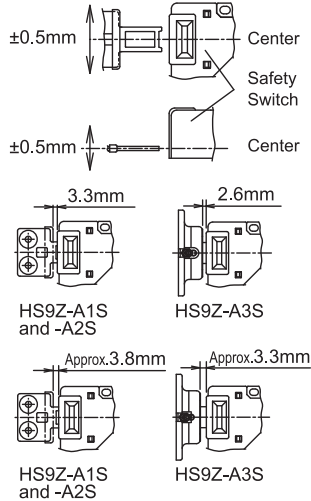


CAUTION

The figures shown above are based on the condition that the actuator enters and exits the actuator entry slot smoothly when the door is closed or opened. Since there may be deviation or dislocation of the hinged door, make sure of correct operation in the actual application before installation.

Actuator Mounting Tolerance

- Mounting tolerance of the actuator is 0.5mm from the center of the actuator to up, down, right, and, left.
 - Make sure the actuator can be inserted into the entry slot without any issue.
 - Actuator can move 3.3mm (HS9Z-A1S and -A2S) / 2.6mm (HS9Z-A3S) from the mounting reference position without affecting the contact operation.
- $$\left(\text{Deviation of actuator position} \right) + \left(\text{Deviation of door position} \right) \leq 3.3 / 2.6\text{mm}$$
- When closing the door, the actuator is inserted and locked within approx. 3.8mm (HS9Z-A1S and -A2S) / 3.3mm (HS9Z-A3S) from the mounting reference position.

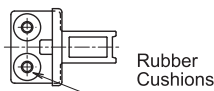


Recommended Screw Tightening Torque

	Screw Tightening Torque
For mounting the safety switch (M5 screw) *8	3.2 to 3.8 N·m
For mounting the actuator HS9Z-A1S, HS9Z-A2S (M5 screw) *8, *9	2.7 to 3.3 N·m
HS9Z-A3S (M6 screw)	4.5 to 5.5 N·m
For mounting the lid (M4)	0.9 to 1.1 N·m
Terminal screw (M3.5)	0.9 to 1.1 N·m
Connector (G1/2)	2.7 to 3.3 N·m
Angle adjusting screw of HS9Z-A3S (M3 Hexagon Socket Head Screw)	0.8 N·m

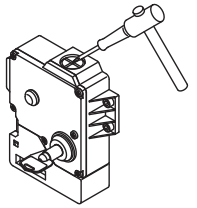
CAUTION

- *8 The recommended tightening torques of the mounting screw are the values confirmed with hex socket head bolts. When the torque is not enough to recommended screw tightening torque, make sure that the screw do not become loose by using adhesive sealants etc. to keep right operation and mounting positioning.
- *9 When rubber cushions (and spacers) are not used, use M6 screws and tighten to a torque of 4.5 to 5.5 N·m.



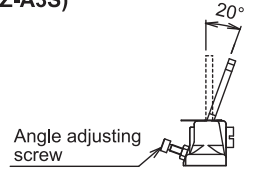
Opening the Connector Hole

- Break a desired knockout to mount a connector using a hammer and a screwdriver.
 - Remove the connector lock nut from inside the safety switch before breaking the knockout to open a connector hole.
 - When breaking the knockout to open a connector hole, be careful not to damage the internal contact block.
- Note : Cracks or burrs on the connector hole will degrade the waterproof characteristics.



Adjusting the Angle Adjustable Actuator (HS9Z-A3S)

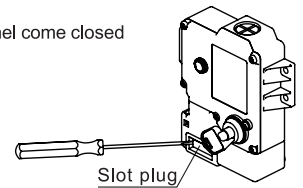
- Using the angle adjusting screw (M3 hexagon socket head screw), the actuator angle can be adjusted up to 20°.
- The larger the actuator angle, the smaller the applicable radius of the door swing. After installing the actuator, open the door. Then adjust the actuator angle so that the actuator enters the entry slot of the safety switch properly.
- After adjusting the actuator angle, apply loctite or the like on the adjusting screw to prevent loosening.



Installing the slot plug

(In the case of a standard sale item. Please check other models.)

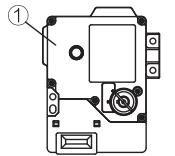
- When not in use, close up the safety switch actuator entry slots with slot plugs to prevent dust from entering.
- The actuator entry slot vertical to the mounting panel come closed up with slot plugs at time of shipment.
- When replacing, please use the tool as shown.



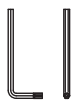
4 Precautions for Operation

Installation

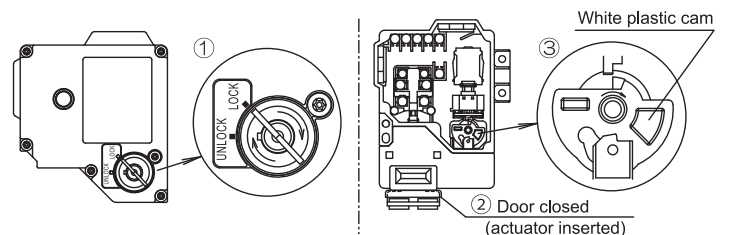
- Protect the locked key from excessive operating force of turning the key. While an excessive turning force is applied, the key can not be unlocked because the solenoid will not work.
- The key cannot be set to the LOCK position while the door is open. Do not force to turn the key to LOCK, otherwise the key will be damaged.
- An excessive turning force of 1.8 N·m or more is applied to the key, the safety switch will be damaged.
- Do not apply an excessive shock to the safety switch when opening or closing the door. A shock to the safety switch exceeding 1,000 m/s² may cause failure.
- Provide a door guide, and ensure that force is applied on the safety switch only in the actuator insertion direction.
- Do not pull the actuator while it is locked. Also, regardless of door types, do not use the safety switch as a door lock. Install a separated lock as shown in item 3.
- When opening the safety switch lid to wire, open the lid ① only. (See the figure on the right.) Never remove other screws, otherwise the safety switch may be damaged.
- The safety switch cover can be only removed or installed with the special L-shaped wrench supplied with the safety switch.
- Make sure to install the product in a place where it cannot be damaged. Make sure to conduct a proper risk assessment evaluation before using the product, and use a shield or a cover to protect the product if need be.
- Solenoid has polarity. Be sure to wire correctly. Do not apply voltage that exceed the rated voltage, otherwise the solenoid will be burnt out.
- Avoid foreign objects such as dust, liquid and oil from entering the safety switch while connecting a conduit or wiring.
- When closing the lid of the safety switch, take the following procedures. (Method)



L-shaped wrench attached to the safety switch
Type : HS9Z-T1



- Set the key on the lid to the LOCK position.
- Close the door (the actuator is inserted).
- Turn the white plastic cam inside the safety switch clockwise as shown on the right.
- Close the lid, and tighten the five screws to a torque of 0.9 N·m.



- Entry of foreign objects in the actuator entry slot may affect the mechanism of the safety switch and cause a breakdown. If the operating atmosphere is contaminated, use a protective cover to prevent the entry of foreign objects into the safety switch through the actuator entry slots.
- Do not touch the solenoid while it is being energized, otherwise burning on hand will be caused (coil temperature rises up to approx. 115 degree C). Use heat-resistant wire when the solenoid touches wires.
- Use only the designated actuator for the HS1E. Other actuators will cause a breakdown of the safety switch.



WARNING

- Turn off the power to the safety switch before starting installation, removal, wiring, maintenance, and inspection on the safety switch. Failure to turn power off may cause electrical shocks or fire hazard.
- Do not disassemble or modify the switch. Also do not attempt to disable the interlock switch function, otherwise a breakdown or an accident will result.
- Use wires of a proper size to meet voltage and current requirements. Tighten the terminal screws to a recommended tightening torque of 0.9 to 1.1N·m. Loose terminal screws will cause unexpected heating and fire hazard during operation.

CAUTION

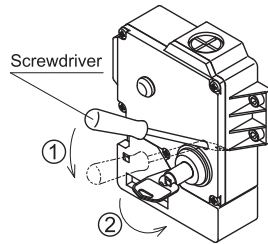
- Regardless of door types, do not use the safety switch as a door stop. Install a mechanical door stop at the end of the door to protect the safety switch against an excessive force.
- Do not install the actuator in the location where the human body may come into contact. Otherwise injury may occur.
- Pay attention to the management of spare actuator. Safety function of safety switch will be lost in case the spare actuator is inserted into the safety switch. Ensure that the actuator is firmly fastened to the door (welding, rivet, special screw) in the appropriate location, so that the actuator cannot be removed easily.
- Do not cut or remodel the actuator, otherwise failure will occur.
- If multiple safety components are wired in series, the Performance Level to EN ISO 13849-1 will be reduced due to the restricted error detection under certain circumstance.
- The entire concept of the control system, in which the safety component is integrated, must be validated to EN ISO 13849-2.

For Manual Unlocking

- The HS1E allows manual unlocking of the key to precheck door operation before wiring or turning on power, as well as for emergency use such as a power failure.

(Manual Unlocking Method)

- Remove the screw from the front of the safety switch using the wrench for mounting the lid. Push the lever inside the safety switch towards the opposite side of the key using a small screwdriver until the key is unlocked.
- With the lever inside pushed up to unlatch the key as in ①, turn the key to UNLOCK and pull out the key, the actuator is unlocked.



CAUTION

- Before manually unlocking the safety switch, make sure the machine has come to a complete stop. Manual unlocking during operation may unlock the safety switch before the machine stops, and the function of safety switch with solenoid is lost.
- After the unlocking operation, be sure to return the screw to the original position for safety.

5 Contact Operation

Contact Configuration and Operating Characteristic

Type	Contact Configuration *11	Operating Characteristic (reference)
HS1E-K84		<p>(Travel : mm)</p> <p>0 (Actuator Mounting Reference Position)</p> <p>Approx.4.2 (Lock)</p> <p>Approx.30.0</p> <p>1-2 (Actuator Completely Inserted)</p> <p>3-4 (Actuator Pulled Out)</p> <p>5-6</p> <p>■ Contact Closed</p> <p>□ Contact Open</p>

CAUTION

*10 This locking monitoring marking has been newly described in section 9.2.1 of EN ISO / ISO14119. It indicates that any devices with this marking meet the following EN ISO / ISO 14119 requirements:

- General (- General requirements for guard locking devices) (Section 5.7.1) *
- Locking monitoring (- Locking monitoring for guard locking devices) (Section 5.7.2.2)

When a lock monitor circuit (contact) has the locking monitoring marking, it means that one circuit (contact) can monitor the position and the locking function of the protective door. (The locking monitoring circuit (contact) turns ON only when the protective door is closed and locked.)

* note HS1E-K safety switches have obtained the locking monitoring certification marking.

*11 The Actuator is inserted, and HS1E-K is locked.

- Contact operation is based on the condition that the actuator is inserted into the center of the safety switch slot.
- Contact operation shows the HS9Z-A1S, A2S, A3S actuator.
- Use main circuit or monitor circuit with for the input to safety circuit.

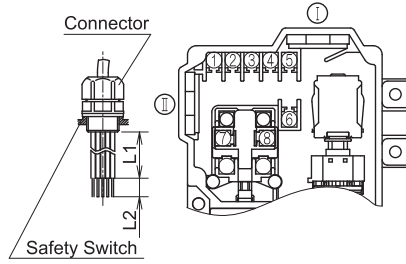
Operation Cycle

Door States	Closed	Closed	Closed	Open	Open	Closed
Key Status	Installed	Installed	Removed	Removed	Removed	Removed
Main Circuit ① 1-2	Closed	Open	Open	Open	Open	Open
Main Circuit ② 3-4	Closed	Open	Open	Open	Open	Open
Auxiliary Circuit 5-6	Closed	Open	Open	Open	Open	Open
Solenoid Power 7-8	Off	On	On	On	Off	Off
	Door is locked. Key is locked. The machine can be operated.	Door is locked. Key is unlocked. The machine can not be operated.	Door is unlocked. The machine can not be operated.	The machine can not be operated.	The machine can not be operated.	Door is unlocked. The machine can not be operated.

6 Wiring

Wire Length inside the Safety Switch

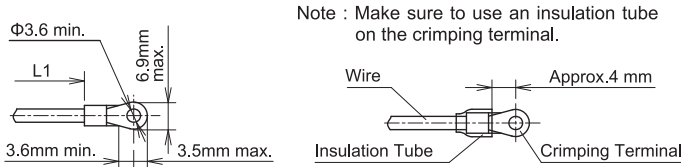
	Screw Terminal No.	Through Conduit Port	
		①	②
Wire Length : L1 (mm)	1	80±2	35±2
	2	70±2	35±2
	3	60±2	40±2
	4	50±2	45±2
	5	40±2	55±2
	6	35±2	55±2
	7	85±2	35±2
	8	60±2	80±2
Wire Stripping Length : L2 (mm)		7±1	



Recommended Wire Core Size

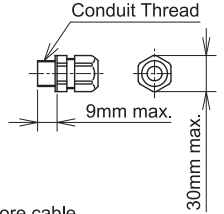
0.5 to 1.25 mm² Note : When wiring to terminals 7 and 8, connect the wires together with the prewired terminal tongues.

Applicable Crimping Terminal



Applicable Connectors

Use a connector with a degree of protection IP67. Applicable connector dimensions : See the figure on the right. When using the M20 connector, replace the locking nut in the safety switch with the connector locking nut (HW9Z-NM20) sold separately.



- When using plastic connector, metal connector and multi-core cable
 - (G1/2) Applicable Plastic Connector Example : Type SCS-10□ (made by Seiwa Electric)
 - Applicable Metal Connector Example : Type C20G-□□16 (made by SANKEI MANUFACTURING)
 - (PG13.5) Applicable Plastic Connector Example : Type ST13.5 (made by LAPP)
 - Applicable Metal Connector Example : Type PBA13.5-□□ (made by AVC Cor.of JAPAN)
 - (M20) Applicable Plastic Connector Example : Type ST-M20×1.5 (made by LAPP)
 - Applicable Metal Connector Example : Type C20M-□□20 (made by SANKEI MANUFACTURING)

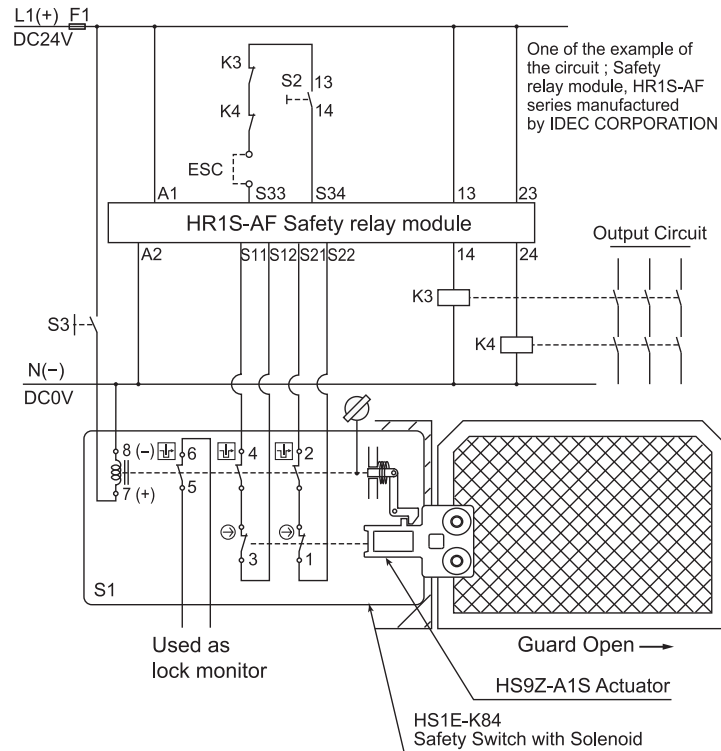
Note : Confirm the outside diameter of the multi-core cable, the connector type depends on the outside diameter of multi-core cable.

Note : When using ST-M20×1.5, use with gasket GP-M (Type No : GPM20, made by LAPP).

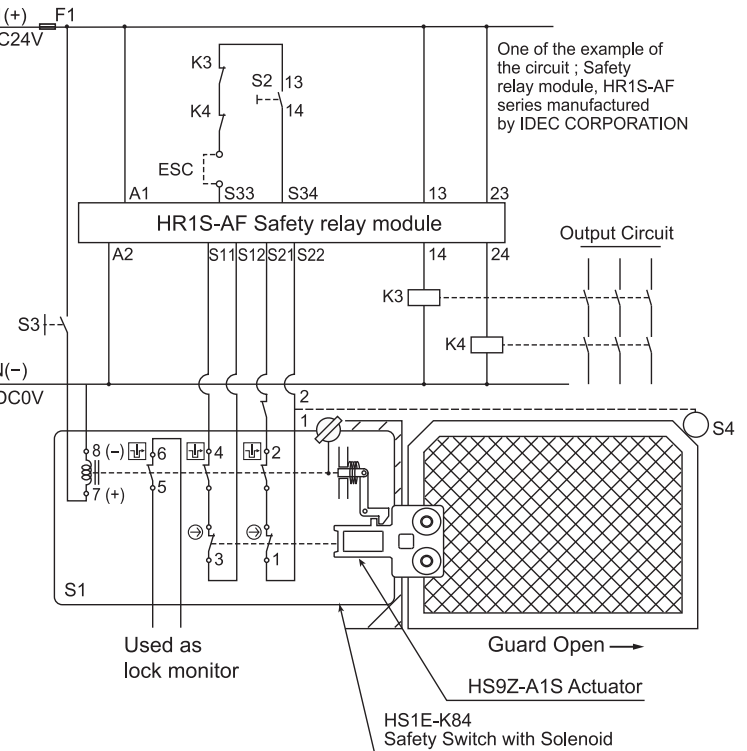
7 Example of wiring Diagram realizing Safety Category

Example of a circuit diagram for Safety Category 3 (attainable PL = d)

(Condition 1: To apply the fault exclusion of mechanical structural parts including the actuator → Make sure to use the product within the product specification range described in this manual and the version of the manual provided with the product.)
(Condition 2: Documentation of the reason for the machine/equipment manufacturer to have applied the fault exclusion based on ISO13849-1, ISO13849-2 or IEC62061.)



Example of a circuit diagram for Safety Category 4 (attainable PL = e)



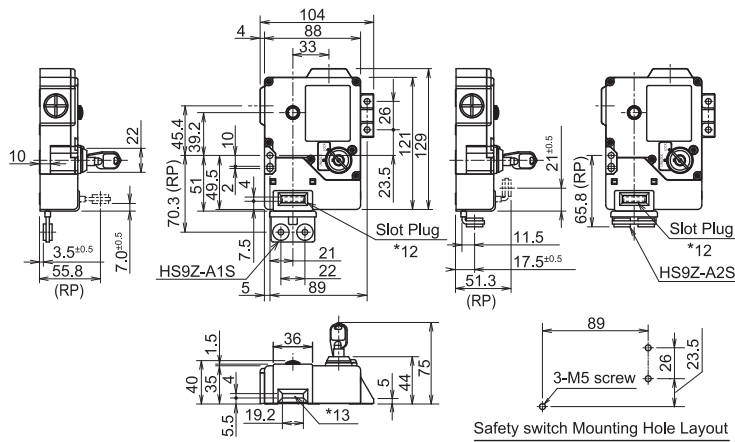
- S1: HS1E-K84 Safety Switch with Solenoid
- S2: Starting Switch (HW Series Momentary)
- S3: Unlocking Enabling Switch
- S4: Safety limit Switch
- ESC: Outside start condition
- K3, 4: Safety Contactor
- F1: Outside fuse of safety relay module at power supply line

Note: Use the monitoring device (Safety relay module) provided the capability to detect a cross short circuit. The insulation of the cable has to withstand environmental influences. If a control device other than the one shown in the draft is used, the used control device has to be equipped with a cross short circuit monitor.

8 Dimensions (mm)

Safety Switch dimensions

RP: Actuator mounting reference position



*12 The actuator entry slot vertical to the mounting panel

*13 The actuator entry slot horizontal to the mounting panel

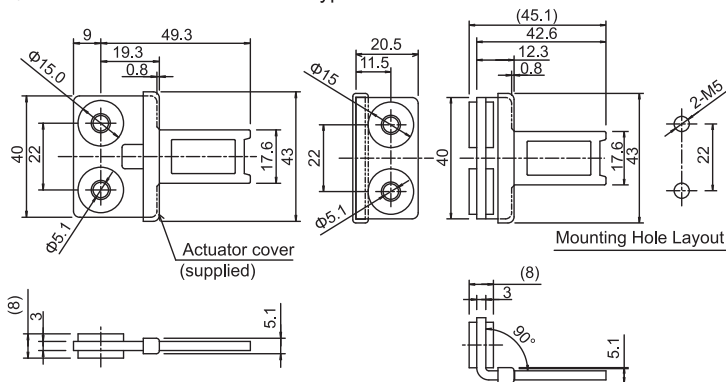
Note : When not in use, close up the safety switch actuator entry slots with slot plugs to prevent dust from entering.

(The actuator entry slot vertical to the mounting panel come closed up with slot plugs at time of shipment. In the case of a standard sale item. Please check other models.)

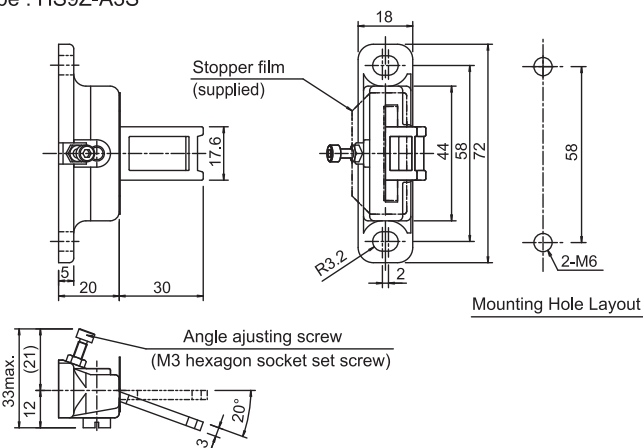
Accessories dimensions

Type : HS9Z-A1S

Type : HS9Z-A2S



Type : HS9Z-A3S



9 Precaution for Disposal

Dispose of the HS1E-K safety switch as an industrial waste.

IDEC CORPORATION

<http://www.idec.com>

Manufacturer: IDEC CORP.

2-6-64 Nishimiyahara Yodogawa-ku, Osaka 532-0004, Japan

EU Authorized Representative: APEM SAS

55, Avenue Edouard Herriot BP1, 82303 Caussade Cedex, France

EU DECLARATION OF CONFORMITY

We, IDEC CORPORATION 2-6-64, Nishimiyahara Yodogawa-ku, Osaka 532-0004, Japan declare under our sole responsibility that the product:

Description: Safety Switch

Model No: HS1E-K

Applied Union harmonized legislation and references to the relevant harmonization standards used or references the other technical specifications in relation to which conformity is declared.

Applicable EU Directive : Low Voltage Directive (2014/35/EU)

Machinery Directive (2006/42/EC)

RoHS Directive (2011/65/EU)

Applicable Standard(s) : EN 60947-5-1, GS-ET-19, EN IEC 63000

UK Authorized Representative: APEM COMPONENTS LIMITED

Drakes Drive, Long Crendon, Buckinghamshire, HP18 9BA, UK

Applicable UK Directive : Electrical Equipment (Safety) Regulations 2016,

Supply of Machinery (Safety) Regulations 2008,

The Restriction of the Use of Certain Hazardous Substances in

Electrical and Electronic Equipment Regulations 2012

Applicable Standard(s) : EN 60947-5-1, EN IEC 63000, EN ISO 14119