

INSTRUCTION SHEET

LF1D Adjustable Support

Confirm that the delivered product is what you have ordered.
Read this instruction sheet to make sure of correct operation.
Make sure that the instruction sheet is kept by the end user.

Safety Precautions

In this operation instruction sheet, safety precautions are categorized in order of importance to Warning and Caution :

WARNING

Warning notices are used to emphasize that improper operation may cause severe personal injury or death.

CAUTION

Caution notices are used where inattention might cause personal injury or damage to equipment.

WARNING

- Read the specifications described on this sheet to make sure that the operating conditions are correct.
- Do not disassemble, repair, or modify the LF1D adjustable support, otherwise severe accidents may result.
- Make sure that the illumination unit does not fall during transportation, installation, and operation, otherwise damage may result.

CAUTION

- Do not apply an excessive force to the LF1D adjustable support.
- Do not leave a damaged LF1D adjustable support unattended or use a damaged LF1D.
- Do not use or store the LF1D adjustable support in a place subjected to vibrations and shocks, otherwise damage may result.

1 Type

Type No.	LF9Z-1MDE1	LF9Z-1MDF1
Applicable LED Illumination Unit	LF1D-E *	LF1D-F *

2 Supplied Parts

Type No.	LF9Z-1MDE1	LF9Z-1MDF1
Adjustable Support for LF9Z	1 pair (right and left)	1 pair (right and left)
Illumination Unit Mounting Screw	M4 sems screw x 10: 4 (SUS)	M5 sems screw x 10: 4 (SUS)
Angle Adjustment Screw	M4 cap sems x 8: 2 (SUS)	M4 cap sems x 8: 2 (SUS)
Internal Tooth Washer	M4: 2	M4: 2

Note: Screws for mounting adjustable supports must be prepared by the user.

3 Specifications

Type No.	LF9Z-1MDE1	LF9Z-1MDF1
Adjustable Angle	0° to 90° (in 10° increments)	
Vibration Resistance (damage limits)	5 to 55 Hz, amplitude 0.5 mm	
Shock Resistance (damage limits)	1000 m/s ²	
Material	SUS (Adjustable Support)	
Weight (approx.)	160g	250g

Note: Operating conditions are the same as the LED illumination units.

4 Installation

Install the LED illumination unit and the adjustable supports as shown in No.1 to No.3 below. Make sure of sufficient strength of the mounting base in consideration of the total weight.

No.1 Install the adjustable supports to the LED illumination unit. Tighten the screws to a torque shown in the table below.

Note: The swing direction can be changed by installing the adjustable supports on opposite sides. Use different mounting holes of the adjustable supports depending on the sides to install. See the figures below. If the adjustable supports are installed in any other way than specified, the specifications of the LED illumination unit are not guaranteed.

Note: When using the rear wiring type LED illumination unit, run the cable through the hole in the adjustable support.

No.2 Install the adjustable supports on a mounting base using M5 screws as shown in the mounting hole layout.

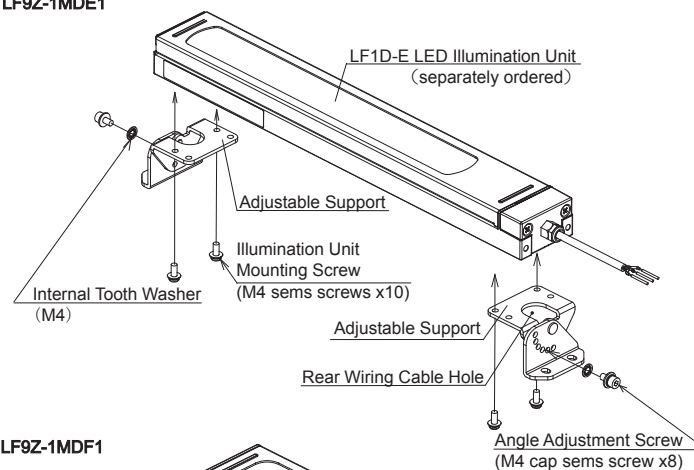
Note: Screws for mounting adjustable supports must be prepared by the user.

No.3 Install the angle adjustment screws at a required angle and tighten the screws to a torque shown below.

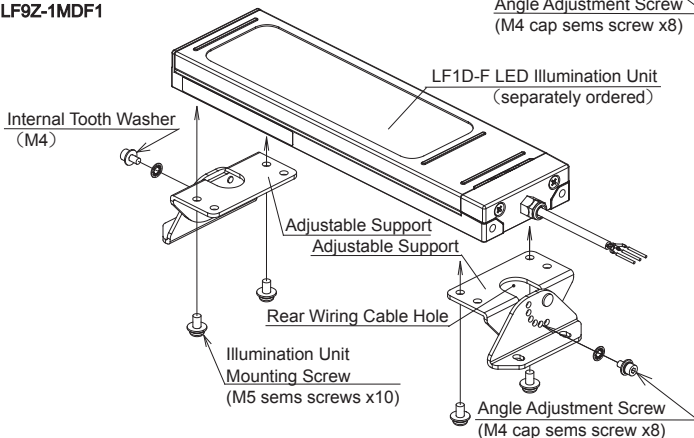
Screw Tightening Torque (N·m)

Type No.	LF9Z-1MDE1	LF9Z-1MDF1
Illumination Unit Mounting Screw	1.4 to 2.0	2.6 to 3.6
Angle Adjustment Screw	1.8 to 2.2	1.8 to 2.2

LF9Z-1MDE1

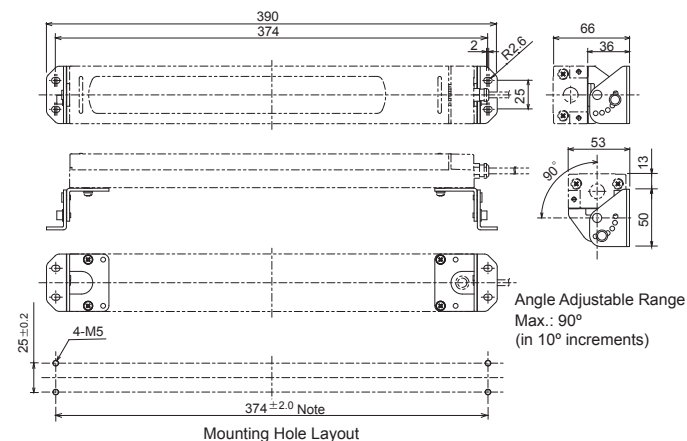


LF9Z-1MDF1



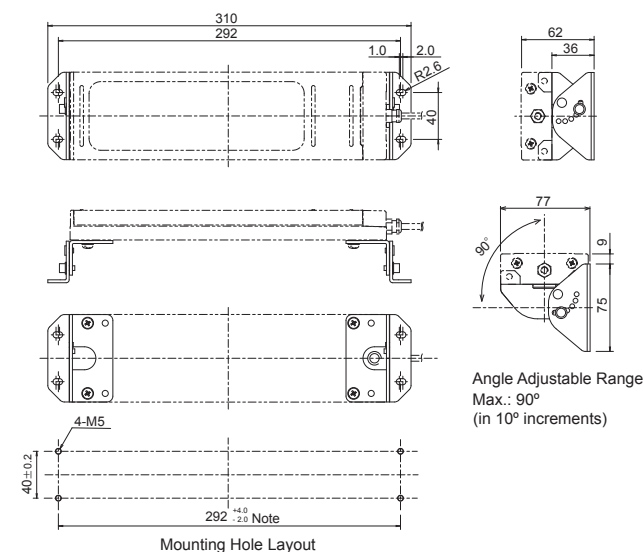
5 Dimensions

LF9Z-1MDE1



Note: This distance is the mounting centers when the outside diameter of the washer for mounting screws on the base is ϕ 10 mm maximum. When the washer diameter is over ϕ 10 mm up to ϕ 12 mm, the tolerance will be $374.0^{+0.0}_{-0.5}$ mm.

LF9Z-1MDF1



Note: This distance is the mounting centers when the outside diameter of the washer for mounting screws on the base is ϕ 10 mm maximum. When the washer diameter is over ϕ 10 mm up to ϕ 12 mm, the tolerance will be $292.0^{+0.0}_{-0.5}$ mm.